

Data Sheet

TempoGate[®] Smart Assistant

Magnetostrictive Linear Position Sensors

- OPC UA server for diagnostics of the R-Series V
- For installation in the control cabinet
- Connection via LAN and Wi-Fi



THE ACCESSORY FOR THE R-SERIES V

The TempoGate® smart assistant is an accessory for the R-Series V sensors family. It is installed in a control cabinet and provides additional status information of the sensors for monitoring and diagnostics of your plant during operation. In addition, the TempoGate® smart assistant supports the setup of the sensors in your application.

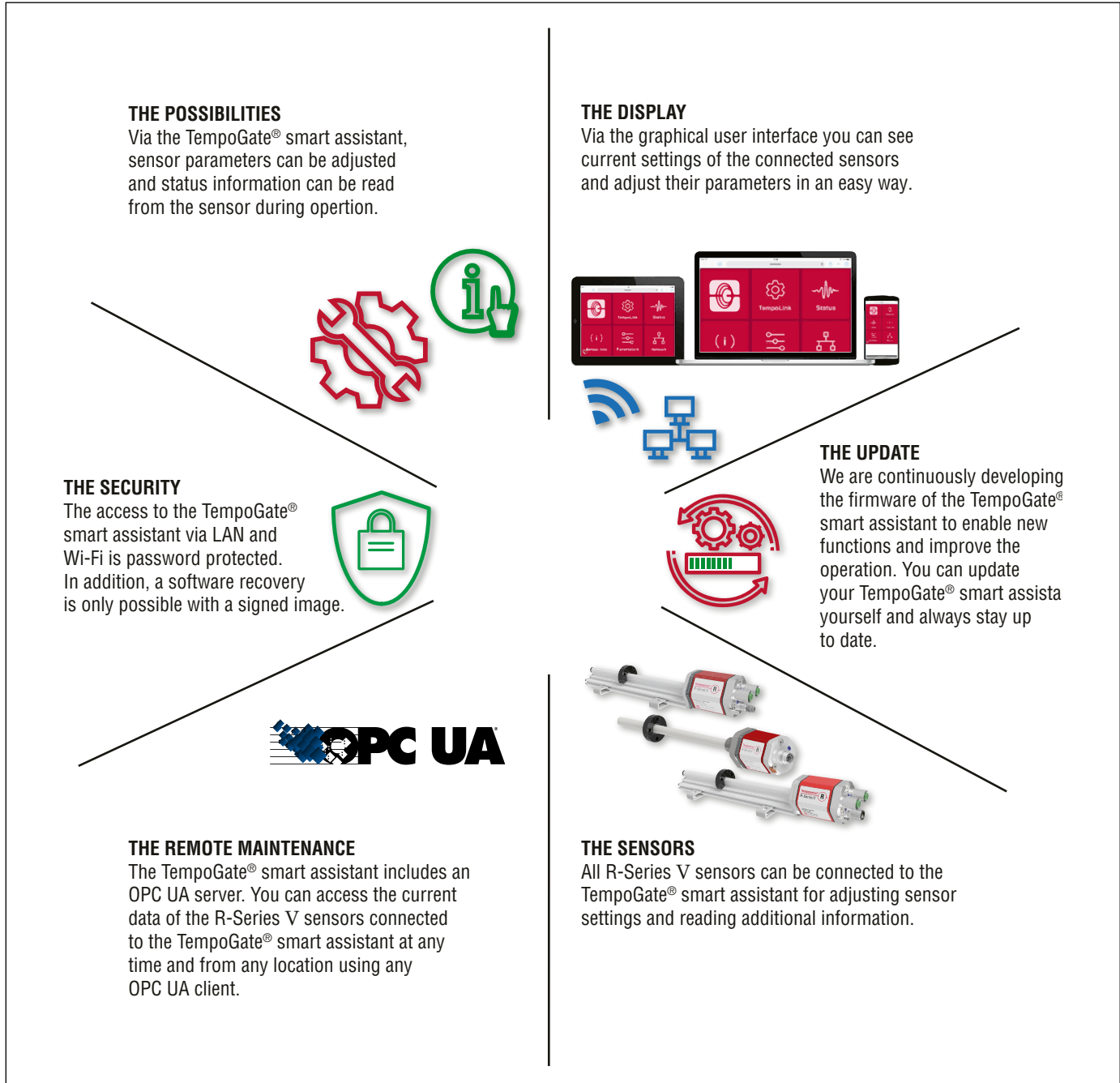


Fig. 1: The main advantages of the TempoGate® smart assistant

TECHNICAL DATA

Operation conditions	
Operating temperature	-20...+60 °C (-4...140 °F)
Ingress protection	IP20
Vibration test	2g/10Hz...150Hz/2.5 h, DIN EN 60068-2-6
Shock test	15g/11ms, DIN EN 60068-2-27
EMC test	Immunity: EN61000-6-2, Emission: EN61000-6-3, FCC, ISED, RED
Design / Material	
Housing	Gateway: Metal Connection Module: Polyamide
Electrical connection	
Connection type	Gateway: 3 pin connection, 2 × USB, 1 × RJ45 Connection module: 4 × push-in per channel
Operating voltage	Gateway: 24 VDC (-15/+20 %) Connection module: +12...30VDC
Power consumption	0.2...1 W + power of the connected sensors
Polarity protection	Up to -36 VDC
Wi-Fi	
Wi-Fi standard	IEEE 802.11b/g/n
Frequency range	2.4 GHz: 2.412 GHz...2.472 GHz

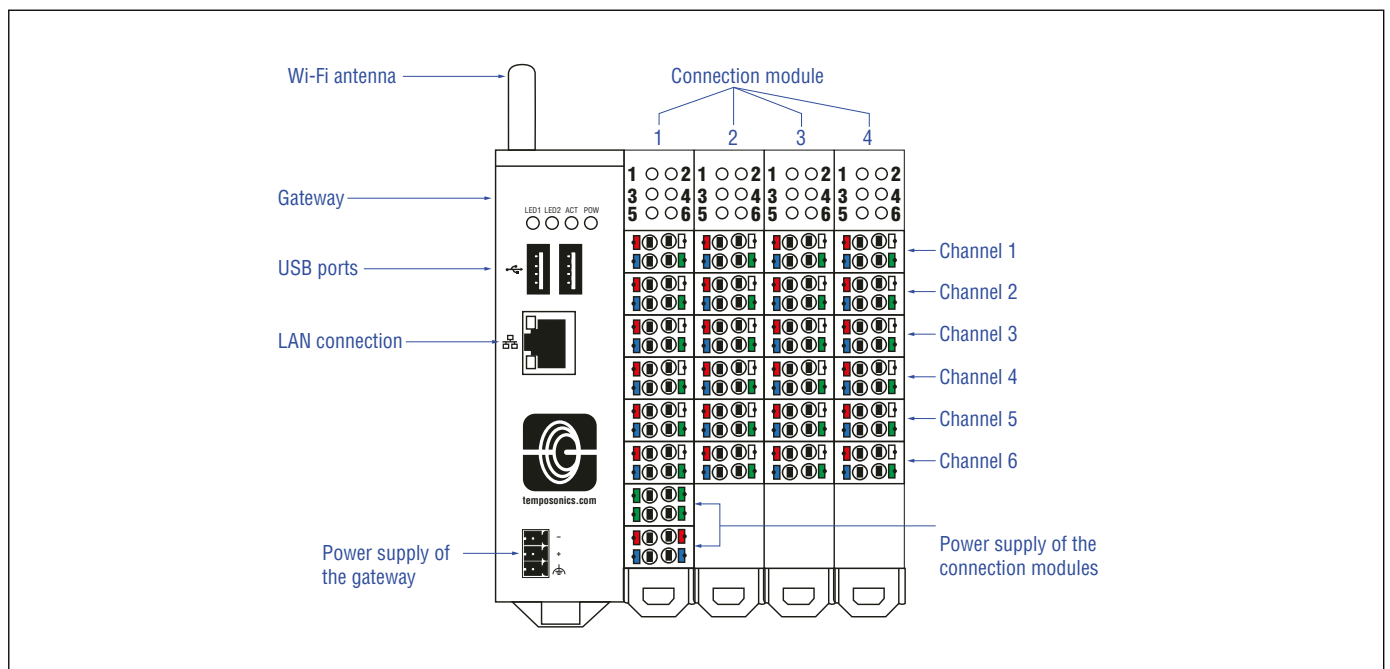


Fig. 2: Setup of the TempoGate® smart assistant with one gateway and up to four connection modules

SETUP OF THE TEMPOGATE® SMART ASSISTANT

The TempoGate® smart assistant consists of a gateway and up to four connection modules. Connection modules can also be ordered separately and added later to a TempoGate® smart assistant (see page 6).

CONNECTION OF THE R-SERIES V

The data lines of the R-Series V sensors are connected to the controller as usual. The power supply lines of the R-Series V sensors are connected to one of the up to six channels of a connection module (Fig. 3). Two options are available for the voltage supply of the sensors:

- A common power supply for all channels via connection module 1, so that all channels and thus all sensors are supplied with voltage at the same time.
- An individual power supply for each channel, so that each channel and thus each sensor is supplied with voltage separately.

COMMUNICATION WITH THE TEMPOGATE® SMART ASSISTANT AND THE CONTROL SYSTEM

The data for position and velocity measurement are transmitted to the controller as usual. In parallel, the R-Series V sensors communicate with the TempoGate® smart assistant via their power supply. Thus, additional status information can be reported during operation. Via the OPC UA server of the TempoGate® smart assistant, this information can be transmitted to a status monitoring system and evaluated.

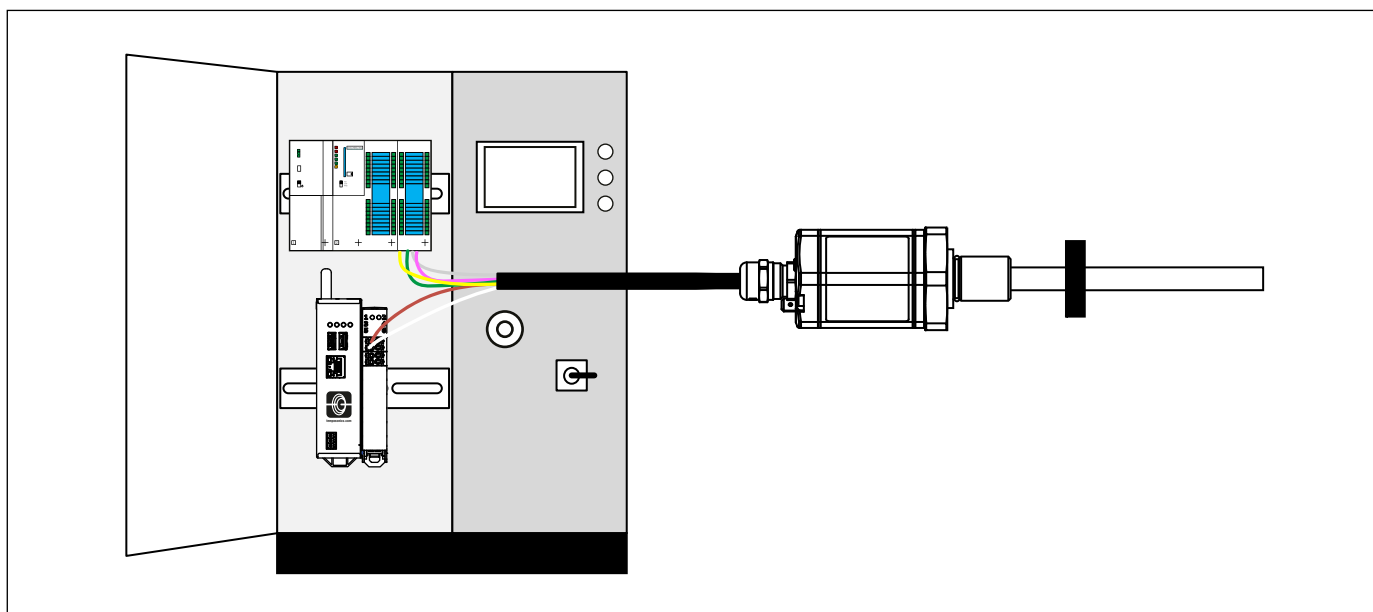


Fig. 3: Schematic diagram for simultaneous connection of the R-Series V to a TempoGate® smart assistant and a controller using the example of an R-Series V with SSI output

TECHNICAL DRAWING

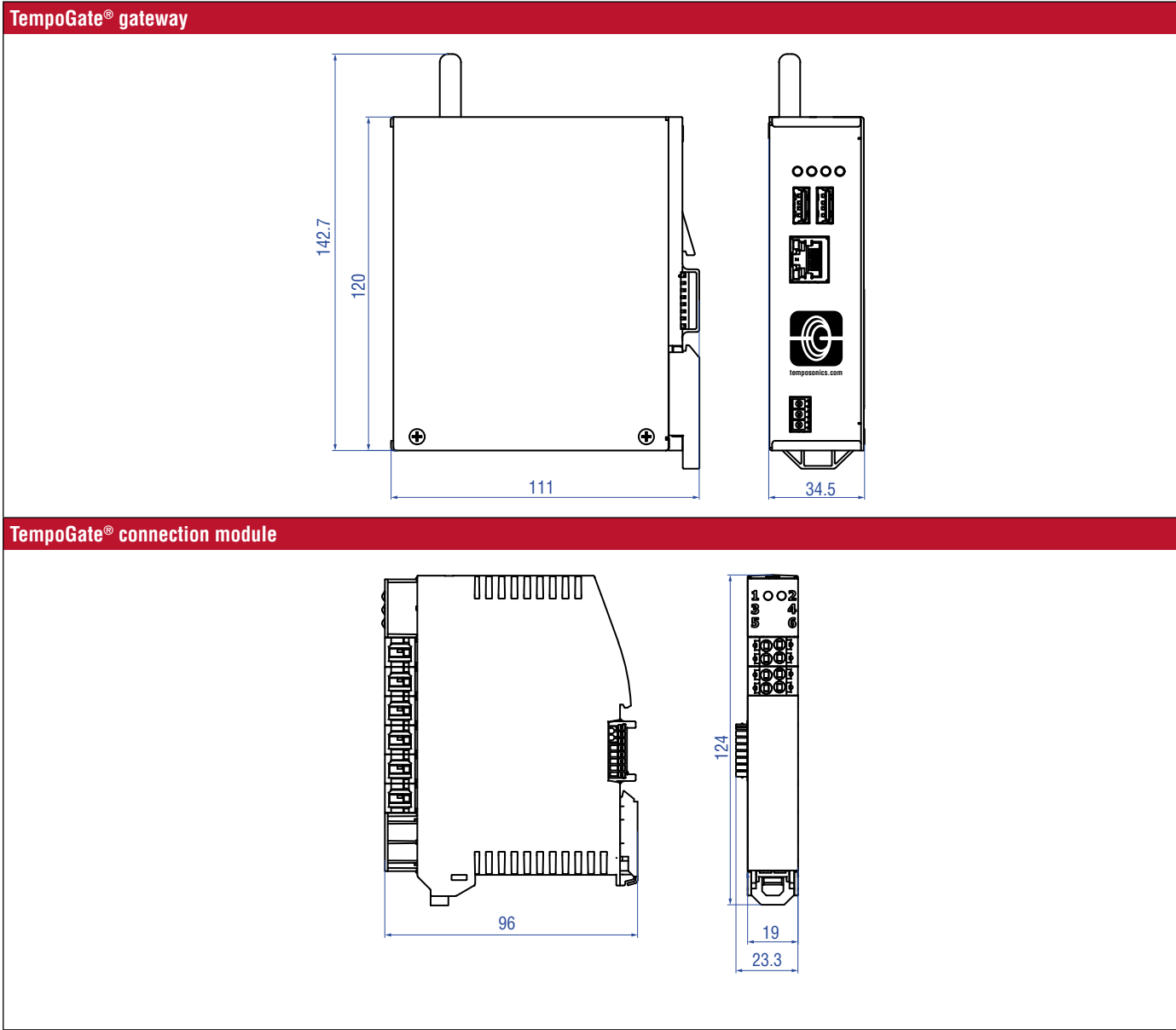

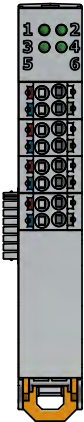
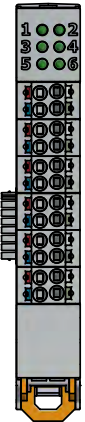



Fig. 4: Gateway and connection module of the TempoGate® smart assistant

FREQUENTLY ORDERED ACCESSORIES

Connection module			Recovery
			
<p>TempoGate® connection module for digital sensors with 2 channels Part no. 255058-1</p>	<p>TempoGate® connection module for digital sensors with 4 channels Part no. 255058-2</p>	<p>TempoGate® connection module for digital sensors with 6 channels Part no. 255058-3</p>	<p>TempoGate® recovery medium Part no. 531155-1</p>
<p>Connection module for expanding the TempoGate® smart assistant for R-Series V EtherCAT®/EtherNet/IP™/POWERLINK/PROFINET/SSI. Note, that no more than four connection modules can be connected to one TempoGate® gateway.</p>	<p>Connection module for expanding the TempoGate® smart assistant for R-Series V EtherCAT®/EtherNet/IP™/POWERLINK/PROFINET/SSI. Note, that no more than four connection modules can be connected to one TempoGate® gateway.</p>	<p>Connection module for expanding the TempoGate® smart assistant for R-Series V EtherCAT®/EtherNet/IP™/POWERLINK/PROFINET/SSI. Note, that no more than four connection modules can be connected to one TempoGate® gateway.</p>	<p>USB stick with a signed image for software recovery of the TempoGate® gateway</p>

ORDER CODE

1	2	3	4	5	6	7
T	G		0	D		
a		b		c		

a	Type		
T	G		
TempoGate® smart assistant kit			
b	Power supply per channel at the connection module		
C	Common power supply for all channels via connection module 1		
I	Individual power supply for each channel		
c	Options		
0	No options		
d	Number of digital channels for connection of R-Series V		
D	X	X	D02...D24 (02...24 channels for R-Series V EtherCAT®, EtherNet/IP™, POWERLINK, PROFINET or SSI) only even number of digital channels possible

DELIVERY



TempoGate® smart assistant kit

- TempoGate® smart assistant gateway
- Depending on the selected configuration: one to four connection modules for 2...24 digital R-Series V sensors
- Power supply for gateway (3 pin connector)

UNITED STATES
Temposonics, LLC
Americas & APAC Region
3001 Sheldon Drive
Cary, N.C. 27513
Phone: +1 919 677-0100
E-mail: info.us@temposonics.com

GERMANY
Temposonics
GmbH & Co. KG
EMEA Region & India
Auf dem Schüffel 9
58513 Lüdenscheid
Phone: +49 2351 9587-0
E-mail: info.de@temposonics.com

ITALY
Branch Office
Phone: +39 030 988 3819
E-mail: info.it@temposonics.com

FRANCE
Branch Office
Phone: +33 6 14 060 728
E-mail: info.fr@temposonics.com

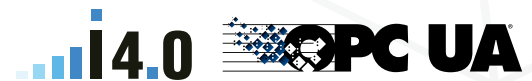
UK
Branch Office
Phone: +44 79 44 15 03 00
E-mail: info.uk@temposonics.com

SCANDINAVIA
Branch Office
Phone: +46 70 29 91 281
E-mail: info.sca@temposonics.com

CHINA
Branch Office
Phone: +86 21 2415 1000 / 2415 1001
E-mail: info.cn@temposonics.com

JAPAN
Branch Office
Phone: +81 3 6416 1063
E-mail: info.jp@temposonics.com

Document part number:
552110 Revision A (EN) 06/2022



temposonics.com